

User Instruction Manual

BURCO

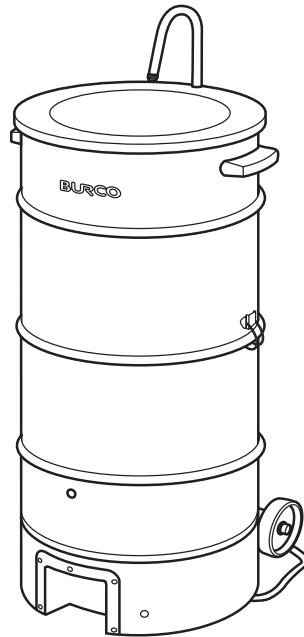
COMMERCIAL

Portable Hand Wash Unit



**Please read and
keep these
instructions**

These instructions cover the Burco portable hand wash unit model HW01, SKU 444448591



HW01 (76100)
SKU 444448591

Glen Dimplex Professional Appliances
Stoney Lane, Prescot, Merseyside, L35 2XW
Tel: 0844 815 3755

www.burco.co.uk

INTRODUCTION

To ensure you obtain full benefits from your new hand wash unit:

- Please read this instruction booklet carefully, and follow all instructions.
- If you are unsure of any aspect of the installation, use or performance of your appliance, please contact the after sales number shown on the back page.

SPECIFICATIONS

Model		HW01
SKU Number		444448591
Dimensions	Height	1010mm
	Width	400mm
	Depth	430mm
Water volume		10 litre
Number of handwashes		50-80
Water temperature		42°C
Weight		10kg
Water protection		IPX4
Voltage		220-240V ~50/60Hz
Power rating		1680-2000W

INSTALLATION

Installation Requirements:

It is essential that this appliance is installed correctly. Installation should comply with all local electrical, and health and safety requirements.



WEEE directive registration no. WEE/DK0059TT

At end of unit life, dispose of appliance and any replacement parts in a safe manner, via a licenced waste handler. Units are designed to be dismantled easily and recycling of all material is encouraged whenever practicable.

Before Connection to Power Supply:

Remove all packaging.

Check the appliance for damage. Report any damage immediately to the carrier or supplier.

Remove any protective plastic coating.

Any water in the unit is due to testing and is normal.

Check the available power supply corresponds to that shown on the appliance rating label.

Location:

This hand wash unit is for indoor use only.

Only use on a flat level surface, that is adequate to support the weight when full of water.

Only use on a dry surface avoiding any possibility of water ingress into the lower electrical compartment.

Do not move the unit when the mains lead is plugged in. Move using the side handles.

The appliance is only to be installed in locations where its use and maintenance is restricted to trained personnel.

The mains lead should reach from the mains socket without straining the connections, or creating a trip hazard.

Keep the mains lead away from any hot surfaces.

Do not place the appliance near a hot gas or electric burner.

Electrical Connection:

Fitting a plug:

The mains lead of this appliance will already be fitted with a BS1363 13A plug. If the fuse has to be replaced, use a 13 amp fuse complying with BS 1362.

If the plug is not suitable for your socket then the plug must be cut off and disposed of safely. An appropriate plug should be fitted as follows:

IMPORTANT: The wires in the mains lead are coloured in accordance with the following code:

Green and Yellow - Earth

Blue - Neutral

Brown - Live

The wire which is coloured green and yellow must be connected to the terminal in the plug which is marked with the letter E or the earth symbol or coloured green or green and yellow. The wire which is coloured blue must be connected to the terminal which is marked with the letter N or coloured black or blue.

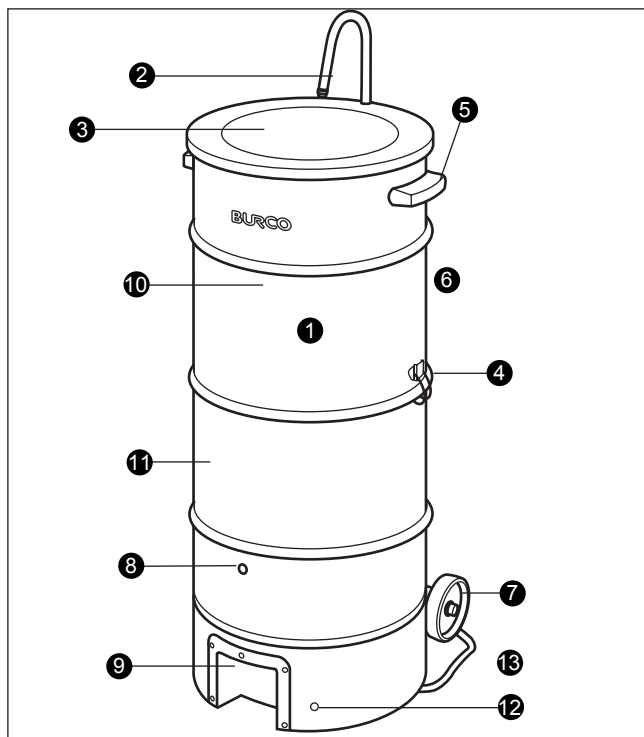
The wire which is coloured brown must be connected to the terminal which is marked with the letter L or coloured red or brown.

Make sure that the connections are tight and that there are no loose strands of wire and no insulation trapped under the terminals. Tighten the clamp in the plug making sure that it grips the outer covering of the cord. If fitting a BS 1363 13A fused plug then fit a 13A fuse. Tighten the plug cover securely. If you are in any doubt, consult a qualified electrician.

IMPORTANT: if the supply cord is damaged, it must be replaced by the manufacturer, service agent or similar qualified person in order to avoid a hazard. The supply cord may become warm when the appliance is in use.

WARNING - THIS APPLIANCE MUST BE EARTHED. A RESIDUAL CURRENT DEVICE (RCD) MUST BE USED WITH THIS UNIT

Electrical connection: 220-240V ~50/60Hz, 7.6-8.3A, 1680-2000W



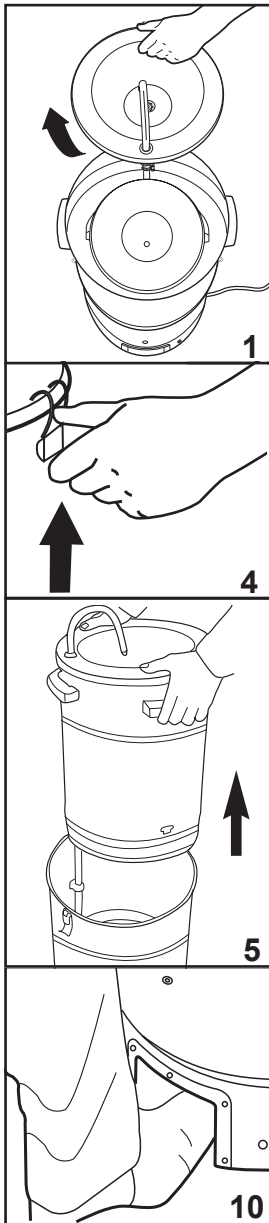
Features:

- ① Waste bucket and lid (inside)
- ② Water spout
- ③ Sink bowl
- ④ Latches holding top and bottom sections together
- ⑤ Handles
- ⑥ Water feed tube (inside)
- ⑦ Wheels
- ⑧ Overflow
- ⑨ Infra red sensor housing
- ⑩ Upper section
- ⑪ Lower section
- ⑫ Power indicator
- ⑬ Reset button (underneath)

USER GUIDE

TURN OFF THE POWER SUPPLY AND REMOVE THE PLUG WHEN NOT IN USE, BEFORE CLEANING, AND BEFORE REPLACING ANY PARTS.

Filling:



IMPORTANT: always put water in the unit before switching on.

1. Lift out the bowl by the edges raising it off the upper section and sliding it up the water spout. When it is high enough, rotate the bowl and spout until clear of the opening of the upper section.
2. Lift out the waste container, remove the lid and check that it is empty.

IMPORTANT: This container must be empty before use otherwise there is a chance of over filling.

3. Replace the waste container in the top section and replace the bowl, ensure that it is fitted snugly back in place.
4. To fill, release the catches situated either side of the handwash that secure the upper section to the lower.
5. Lift the upper section until it is clear of the lower section noting two cutouts in the bottom edge. These are to be positioned on the left hand side of the rolled edge of the lower container giving a resting position and allowing hands free access for filling.
6. Pour clean water into the lower tank. Never fill beyond the MAX fill mark (10 litre) otherwise water will flow out of the overflow.
7. Lift the upper section and replace it on the lower section, aligning the two container seams. Failure to correctly align these sections will result in difficulty in latching the two parts together and may damage the latches themselves.
8. Relatch the catches ensuring the wire retainers are situated above the cleat on the upper section. Be careful to avoid catching any part of yourself when the catches snap into place.
9. Plug into the supply. The indicator light will illuminate to indicate power to the unit and the water will start to heat up.
10. Put your foot momentarily into the black plastic moulding at the bottom of the unit. This interrupts an infra red beam which in turn operates the water pump. Do this twice to prime the pump. No water will be dispensed until this is done.
11. The unit takes approximately 15 mins to reach full temperature.
12. The unit is now ready to use.

Hand washing:

1. To operate, place your foot momentarily into the black plastic moulding at the bottom of the unit. This interrupts an infra red beam, which in turn pumps water out of the water spout for approximately 7 seconds. Repeat by momentarily putting your foot back into the plastic moulding once the previous dispense has finished.
2. When water is no longer dispensed from the nozzle when activated, the lower tank may be empty

IMPORTANT: Turn off the power and remove the plug when empty.

3. Empty the waste container and refill the lower tank as described above.
4. If there is water remaining in the lower tank check that the quick release fitting is securely attached to both pipes, see cleaning and descaling.

After use:

Disconnect from the mains supply and empty the waste container.

Water may be left in the lower tank when not in use for short periods, but to maintain a supply of fresh water, it should be emptied periodically and cleaned out.

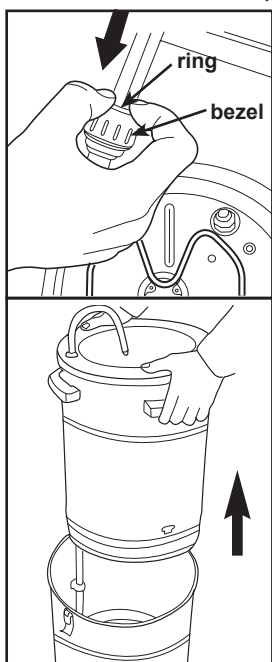
Protective cut-out:

The hand wash is fitted with a thermal cut-out which protects the unit from damage if allowed to boil dry or switched on without water.

If the cut-out operates, allow the unit to cool down, carefully tilt the unit as there may be water in either the top or bottom sections, then press the red reset button situated underneath the base.

Cleaning:

**ALWAYS TURN OFF THE POWER SUPPLY AND REMOVE THE PLUG BEFORE CLEANING, ALLOW THE HAND WASH TO COOL
THIS HAND WASH IS NOT WATERPROOF
DO NOT USE A WATER JET SPRAY TO CLEAN THE INTERIOR OR EXTERIOR OF THE APPLIANCE, OR USE A WATER JET IN THE VICINITY OF THE APPLIANCE**



Lift out the bowl by the edges raising it the upper section and sliding it up the water spout. When it is high enough, rotate the bowl and spout until clear of the opening of the upper section.

Locate the quick release fitting, this is the large white plastic fitting joining two pipes.

Ensure that the bezel is unscrewed to its fullest extent.

Grip the white fitting and firmly push the plastic ring at the top of the fitting into the body of the fitting. This will release the lock and allow the upper pipe to be removed. Then push the lower ring into the body of the fitting and remove the fitting from the lower pipe.

Release the catches and separate upper and lower sections.

Exterior

Clean with water and detergent. Do not use harsh abrasive cleaners as this could damage the surface finish.

Interior

Brush any scale or sediment from the element and rinse thoroughly with clean water.

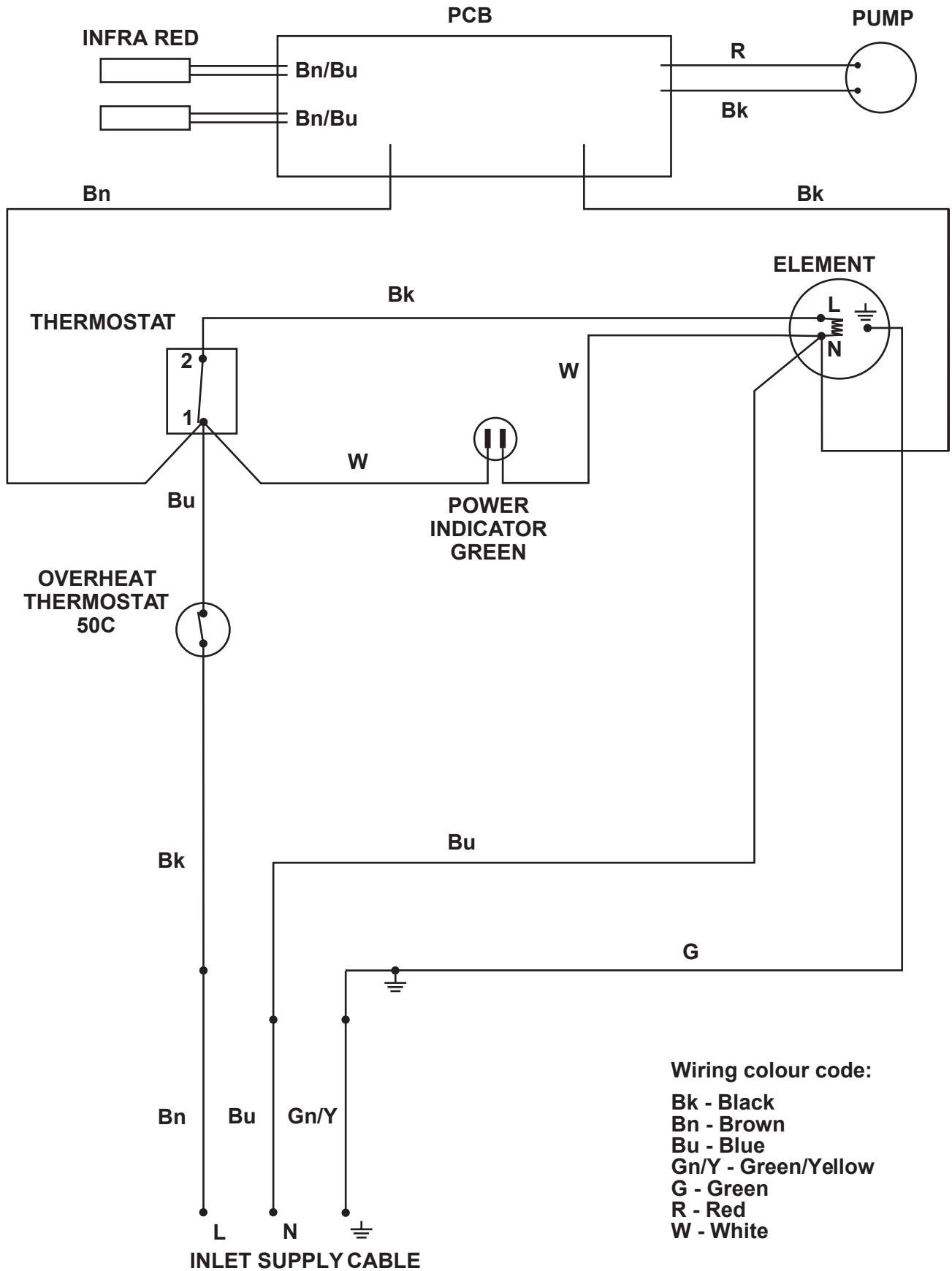
Descaling

In hard water areas scale will form on the element and interior. This will adversely affect the operation of the hand wash if allowed to accumulate. Descale on a regular basis, using a proprietary descaler recommended for stainless steel kettles. Follow the instructions provided with the descaling product, and then refill with fresh water, heat and discard the water before general use.

Trouble-shooting:

Fault	Possible Cause	Remedy
The appliance does not operate.	No power to the appliance.	Check supply socket is switched on. Check fuse and circuit breaker. Check green power indicator is illuminated.
	Empty	Refill
	Thermostat or element faulty.	Replace thermostat or element.

WIRING DIAGRAM PORTABLE HAND WASH UNIT



SPARES LIST

ALWAYS TURN OFF THE POWER SUPPLY AND REMOVE THE PLUG BEFORE REPLACING ANY PARTS

Part Number	Description	Qty
082610802	Element kit inc. seal	1
082626774	Neon green	1
082626780	Wheel assembly	1
082626782	White plastic lid	1
082631625	Plastic waste bucket	1
082631626	Funnel	1
082631620	Tap pipe assembly	1
082631621	Hand wash bowl assembly	1
62672	IR housing unit assembly	1
082631622	Pump assembly	1
082631627	Silicone hose adaptor	1
60109	Handle assembly	2
082631624	Thermostat	1
62657	Reset rod tube	1
62784	Conical spring	1
082610785	Reset rod	1
62819	Overheat thermostat	1
62658	Spiderfixes push-on	2
083188500	Handbook	1

GUARANTEE

This hand wash unit is guaranteed against defective materials or faulty workmanship, for a period of 12 months on labour and 36 months on parts.

This guarantee is given subject to the appliance being used in accordance with the instructions supplied, and on the supply voltage marked on the rating label. The guarantee is subject to fair wear and tear conditions.

The guarantee does not cover consequential damage arising out of any failure acceptable under guarantee, nor does it cover damage resulting from misuse, accident or unauthorised alterations to the appliance.

Proof of purchase will be required.

In any communication with the supplier or manufacturer, quote the model and serial number marked on the appliance rating label.

This guarantee does not affect your statutory rights.

The products are intended for commercial use as detailed in these instructions.

The Company has a policy of continuous improvement in product quality and design. The Company therefore reserves the right to change the specification at any time.

IMPORTANT: any service call resulting from a lack of regular descaling is not covered by this guarantee, and will be chargeable.

Customer helpline

For spares and after-sales service please contact

Burco on:

T: 0844 815 3755

F: 0844 815 3748

E: info@gdha.com

**Glen Dimplex Professional Appliances
(A Division of Glen Dimplex Home Appliances)**

**Stoney Lane,
Prescot,
Merseyside L35 2XW**

www.burco.co.uk



**GLEN DIMPLEX
PROFESSIONAL APPLIANCES**